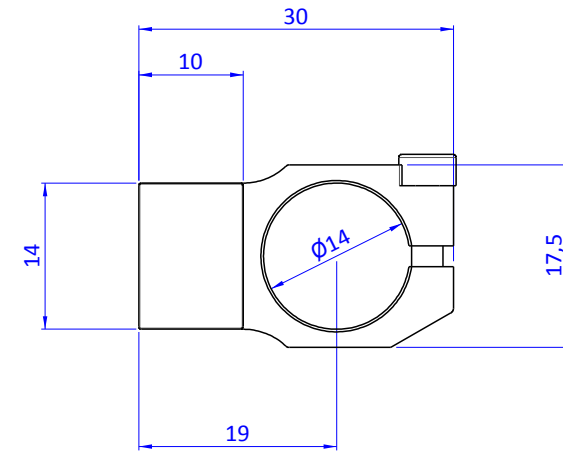
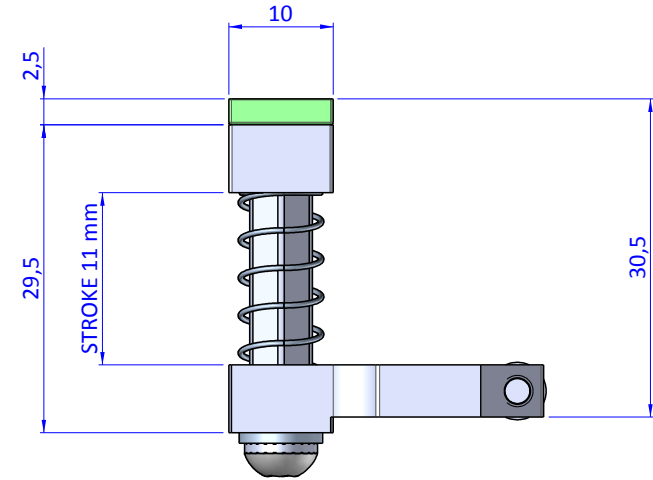
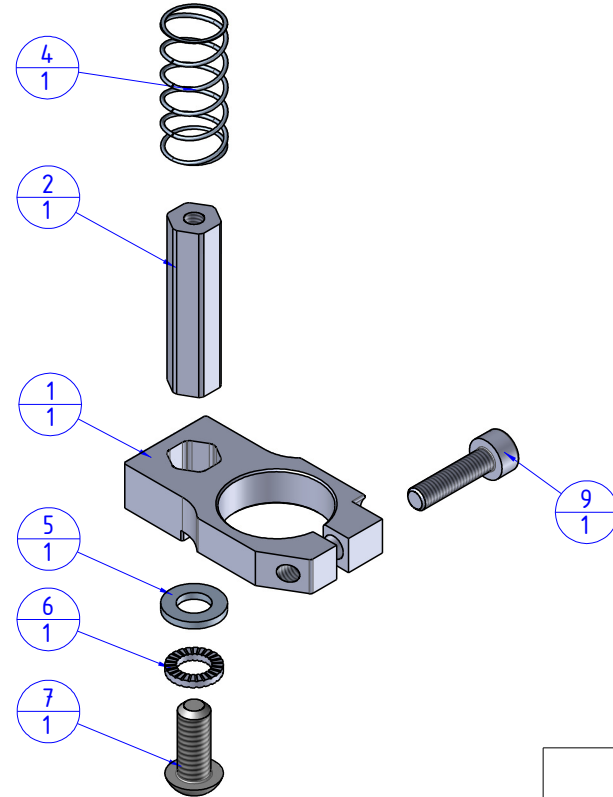
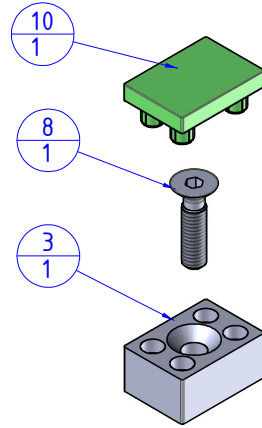



THE PROPERTY OF THE DRAWING IS ESTABLISHED BY LAW. IT IS FORBIDDEN TO PRODUCE OR SHOW IT TO THIRD PARTY, WITHOUT A WRITTEN AGREEMENT.

Item	Name	Qty.
1	GRF14.95.11	1
2	GRF14.95.12	1
3	GRF14.95.13	1
4	M.8x26.6N	1
5	R.4	1
6	R.4.SCH	1
7	V.TBCE4X10.BUTT	1
8	V.TSP3x12	1
9	V.TCE3x12	1
10	GRF14.95.08.V	1



Format A3

UNI 936-76

 FPS FPSERVICES AUTOMATION		DESIGNED FROM		REVIEW
		FPS Automation		A
GENERAL TOLERANCE		DATE	WEIGHT	
UNI - ISO 2768		13/05/2019	0,009kg	
CLASSE f	DESCRIPTION	CODE		
	GRF14.VSX	GRF 14.VSX		